

NuMicro® NUC126x Series 32-bit Microcontroller



► NUC126x Series 72MHz Arm® Cortex®-M23 MCU

The NuMicro® NUC126x series 32-bit microcontroller is based on Arm® Cortex®-M23 core for Armv8-M architecture, running up to 72 MHz and features 64 Kbytes of Flash, 20 Kbytes of SRAM. With LED Light Strip Interface (LLSI), I3C, and crystal-less USB2.0 full-speed device make it an ideal solution for PC accessories and industrial control applications.

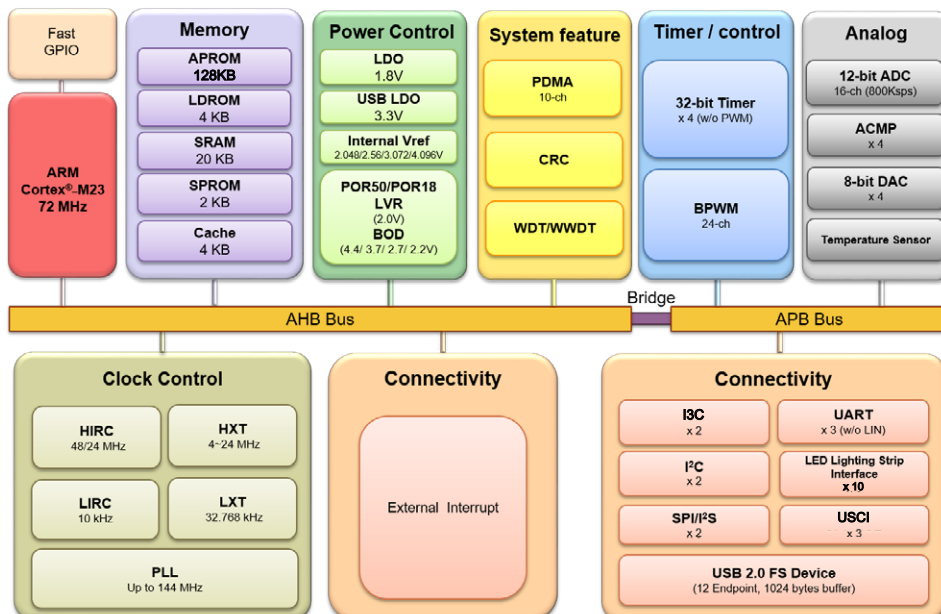
► Key Features

- Arm Cortex®-M23, running up to 72 MHz
- Up to 2 sets of 1V I3C
- Up to 128 KB flash memory and up to 20 KB SRAM
- Up to 24 channel PWM outputs
- Up to 11 channels of LED Light stripe Control interface (LLSI)
- 50 mA high sink current pins
- Up to 4 channels of 8-bit 200 ksp/s DAC
- Up to 16 channels of 12-bit 800 ksp/s ADC
- Up to 4 sets of analog comparators (ACMP)
- Operating voltage: 2.5V ~ 5.5V
- Operating temperature: -40°C ~ +105°C

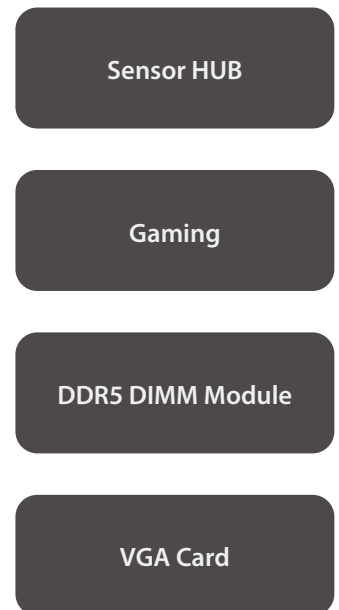
► Packages

Package Type	Package Size	Pin pitch
QFN33	5x5mm	0.5 mm
QFN48	5x5mm	0.4 mm
LQFP48	7x7mm	0.5 mm
LQFP64	7x7mm	0.4 mm

► Block Diagram



► Applications



► Support for Development

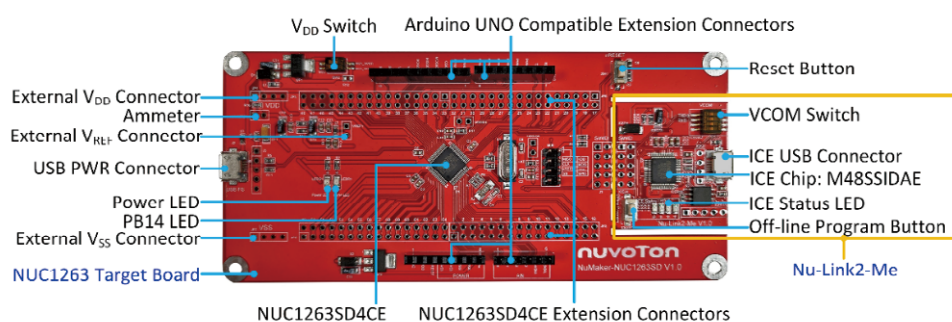
Item	Name	Features
IDE & compiler	Keil NDK IAR EMARM NuEclipse	NUC126x is supported by Keil and IAR's. NuEclipse is Nuvoton's proprietary IDE which integrates SDCC with free license.
Debugger & Programmer	Nu-Link2-Me Nu-Link-Pro Nu-Link2-Pro	Debugging, online programming, offline programming (optional), VCOM port, ISP Firmware upgrade.
Board software package	NuMicro BSP	The BSP mainly includes the device drivers, library, sample codes and documents.

► Evaluation Board

Ordering No:
NK-NUC1262SE

Ordering No:
NK-NUC1263SD

[Quick Start](#)



► Product Selection Guide

Part No.	Flash (KB)	SRAM(KB)	ADC(12-bit)	ACMP	DAC	BPWM(16-bit)	PDMA	IBC	LSI	UART	SPI	I2C	IO	Package
NUC1262YE4AE	128	20	8	-	-	4	10	-	10	2	2	2	36	QFN48
NUC1262LE4AE	128	20	8	-	-	4	10	-	10	2	2	2	36	LQFP48
NUC1262SE4AE	128	20	8	-	-	4	10	-	10	2	2	2	36	LQFP64
NUC1263ZD4CE	64	20	16	4	4	24	6	2	6	3	3	3	22	QFN33
NUC1263ND4CE	64	20	16	4	4	24	6	2	6	3	3	3	36	QFN48
NUC1263LD4CE	64	20	16	4	4	24	6	2	6	3	3	3	36	LQFP48
NUC1263SD4CE	64	20	16	4	4	24	6	2	6	3	3	3	49	LQFP64

